



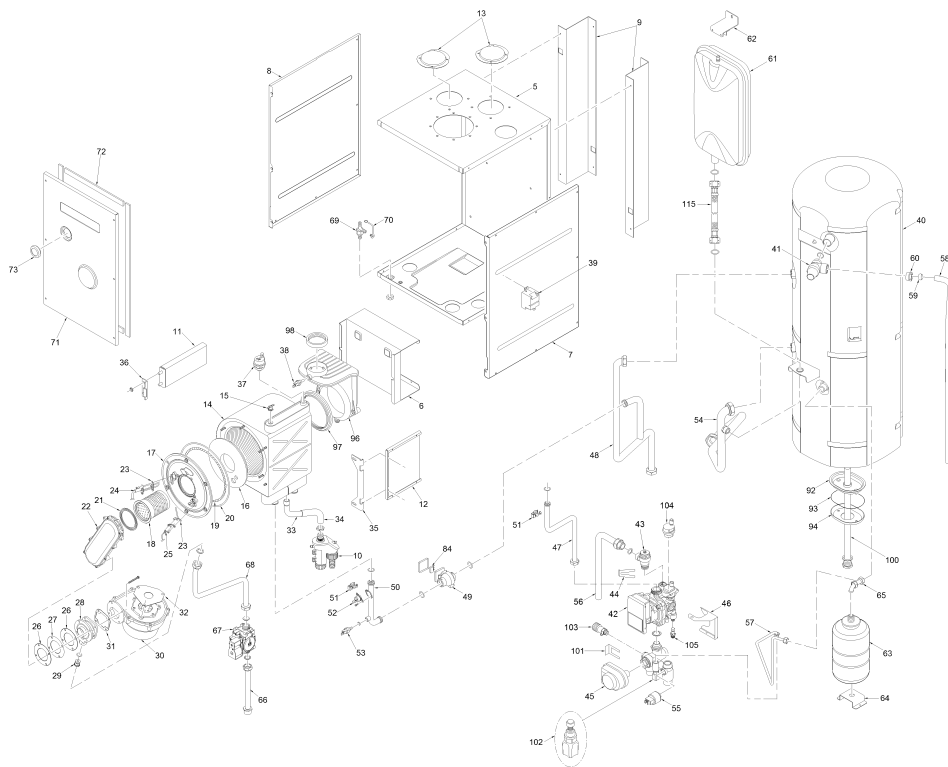
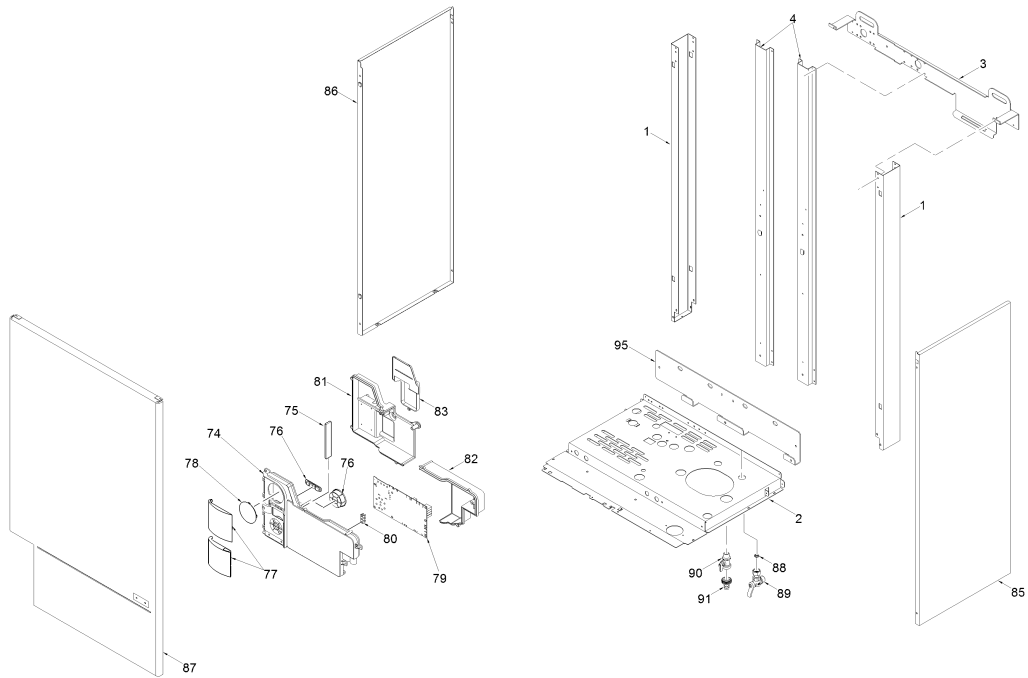
Fonderie Sime S.p.A. - Via Garbo, 27 - 37045 Legnago (VR) - www.sime.it
 Tribunale Verona 13531 - R.E.A. VR 171357 - C.C.P. 19423375 - N° Mecc. VR 014435
 Capitale Sociale Euro 5.521.200 int. versato - Codice Fiscale/Partita IVA n. IT 01275930236

Comfort Ambiente - Via Garbo, 27 - 37045 Legnago (VR)

Tel +39 0442 631111 - Fax Servizio Commerciale: Italia +39 0442 631291 - Estero +39 0442 631293

Fax Servizio Tecnico +39 0442 631292 - Fax Ufficio Acquisti +39 0442 631292 - Fax Amministrazione +39 0442 631336

8102744 CALD.MET.MURELLE HE 25/55 ErP



Posiz.	Codice	Descrizione
001	6138558	Right/left hand side frame part
002	6138895	Frame assembly lower side
003	6138711	Frame assembly upper support
004	6256714	Sealed chamber rear support
005	6266036	Sealed chamber rear panel

006	6010810	Smoke chamber fixing panel
007	6266123	Sealed chamber right hand side
008	6266122	Sealed chamber left hand side p
009	6267103	Sealed chamber fixing bracket
010	6277204	Water trap
011	6010813	Main exchanger L.H. side suppor
012	6010815	Main exchanger R.H. side suppor
013	6029100	Blind inlet flange
014	5188316	Complete main exchanger
015	6146721	Limit stat
016	6269007	Main exchanger door insulation
017	6278852	Main exchanger door
018	6278359	Premix burner
019	6278968	Glass fibre sealing cord
020	6278967	Combustion chamber O-ring
021	6174817	Gasket for burner flange
022	6278802	Air-gas hose
023	6174809	Gasket for ignition electrode
024	6221653	Ignition electrode
025	6221645	Ionisation electrode
026	6174812	Mixer/hose gasket
027	6239206	Mixer closing plate
028	6274306	Air/gas mixer
029	6274121	Burner nozzle ø 6,00
030	6261408	Fan
031	6174816	Gasket for fan flange
032	6028647	Air diaphragm
033	6034150	Condensate drainage pipe
034	6034151	Condensate drainage pipe
035	6010812	Main exchanger R.H. fixing brac
036	6010814	Main exchanger fixing bracket
037	6013102	Automatic air vent 1/4"
038	6277131	Probe NTC D.4X47
039	6098315	Ignition transformer
040	5194303	Insulated stainless steel tank
041	6029000	Pressure relief valve 1/2" - 7
042	6272363	POMPA YP MLS 12/6-RKC-CM-12
043	6040225	Pressure relief valve 1/2" 3 ba
044	6226645	Spring clip
045	6087304	Motor for Honeywell diverting v
046	6073319	Circulating pump fixing bracket
047	6277960	TUBO COLL.CIRC.SCAMB.MUR.25/55
048	6216233	C.H. system flow pipe
049	6149303	Flow water switch
050	6277713	Main exchanger outlet pipe
051	6226601	Spring for heat exchanger conne
052	6146701	100°C safety stat
053	6231351	Plunged sensor
054	6216019	D.H.W. cylinder return pipe
055	6273603	Water press.transd. HUBA CONTR
056	6157658	Pressure relief valve drain pip
057	6199212	Boiler feeding loop
058	6157632	Pressure relief valve drain pip
059	6100202	Ogive for pipe Ø 15
060	6168401	Locking nut for pipe Ø 15
061	5183722	Rectang. expansion vessel 10 l.
062	6267109	D.H.W. expans. vessel locking b
063	6245102	Sanitary D.H.W. tank - 2.5 L.
064	6073312	Expansion vessel support
065	6227682	Pipe connecting D.H.W. expans.
066	6226878	Gas inlet pipe
067	6243823	Gas valve type
068	6277413	Pipe connecting gas valve-mixer
069	6280500	3-ways junct. with press. test
070	6280550	Cap for 3-ways junction
071	6228865	Sealed chamber front panel
072	5192204	Gasket for sealed chamber
073	6001210	Peephole
074	6304700	Control panel
075	6305160	Guidelight with led
076	6305120	Kit Rubber button
077	6304890	Flap door assembly
078	6247327	Cap for time programmer
079	6301495	Main PCB
080	2211610	Earth faston
081	6305000	Cover
082	6305010	connection cover

083	6305020	Time programmer cover
084	6131401	Microswitch for flowmeter
085	6242117	Casing right hand side panel
086	6242217	Casing left hand side panel
087	6304232	Casing front panel
088	6281401	Water rate adjuster 12 l/min
089	6177514	Ball cock 1/2" M - 1/2" F
090	6179100	Drain cock 3/8"
091	6179200	Holder complete with locking nu
092	6258311	D.H.W. cylinder flange
093	6052705	Gasket for D.H.W. cylinder flan
094	6258312	D.H.W. cylinder counterflange
095	6215211	Hanging bracket
096	6278701	Smoke chamber
097	6248856	Smoke chamber/heat exchanger ga
098	6248851	Smoke chamber outlet gasket
099	6013181	Automatic air vent
100	6072708	Magnesium anode + plug 3/4" + O
101	6226623	Divertor valve spring
102	6146603	Filling cock 5197001 group
103	6017211	Manual air vent 1/4"
104	6013182	Automatic air vent
115	6017404	Flexible pipe F-F.3/8X3/8 L270
700	5197003	Brass hydraulic group
701	5197151	Complete control panel
702	6316230	3 pole cable connector
703	6299991	4 pole cable connector CN12
704	6316231	5+4 pole cable connector
705	6316232	9 pole cable connector
706	6316233	14 pole cable connector
707	6316200	Connector 2 poli
708	6316202	Connector 4 poli
709	6316203	Connector 4 poli CN4
710	6316204	Connector 8 poli CN7
711	6285001	Ionisation lead L=1200
712	6231330	Temperature sensor L=1120
713	5185130	Conversion kit to LPG
714	6281534	Gaskets kit
715	6146607	5197001-02 spacer/shutter kit
716	6281545	Replacement rear insulat. kit