



Fonderie Sime S.p.A. - Via Garbo, 27 - 37045 Legnago (VR) - [www.sime.it](http://www.sime.it)  
Tribunale Verona 13531 - R.E.A. VR 171357 - C.C.P. 19423375 - N° Mecc. VR 014435  
Capitale Sociale Euro 5.521.200 int. versato - Codice Fiscale/Partita IVA n. IT 01275930236

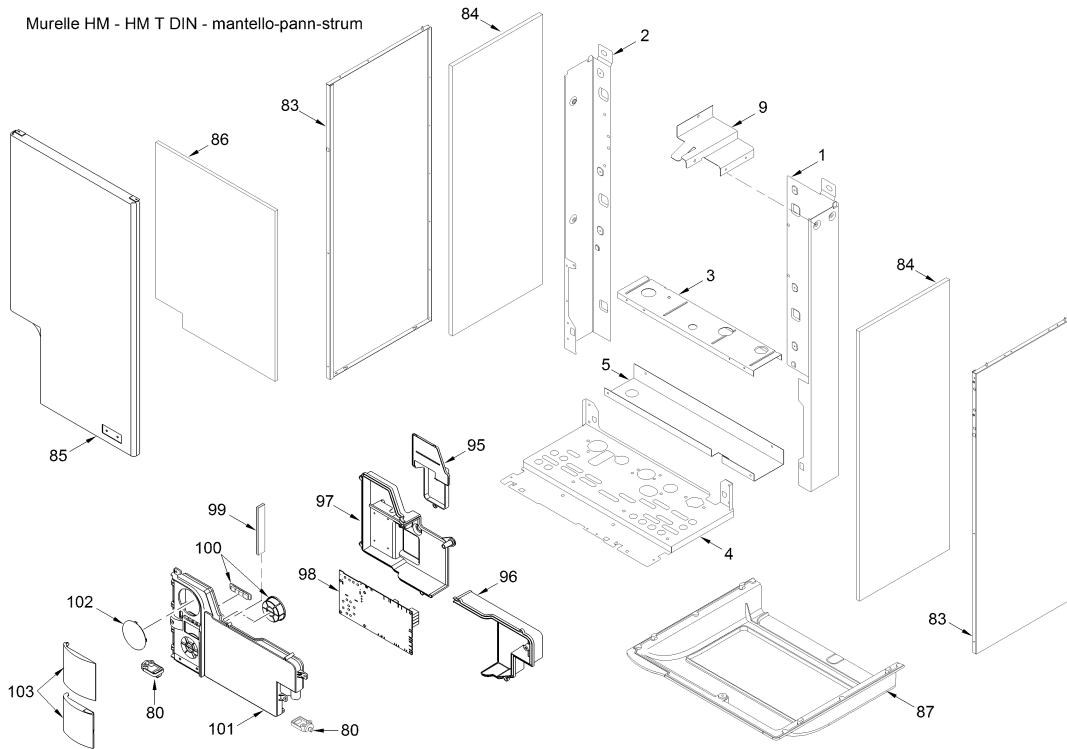
Comfort Ambiente - Via Garbo, 27 - 37045 Legnago (VR)

Tel +39 0442 631111 - Fax Servizio Commerciale: Italia +39 0442 631291 - Estero +39 0442 631293

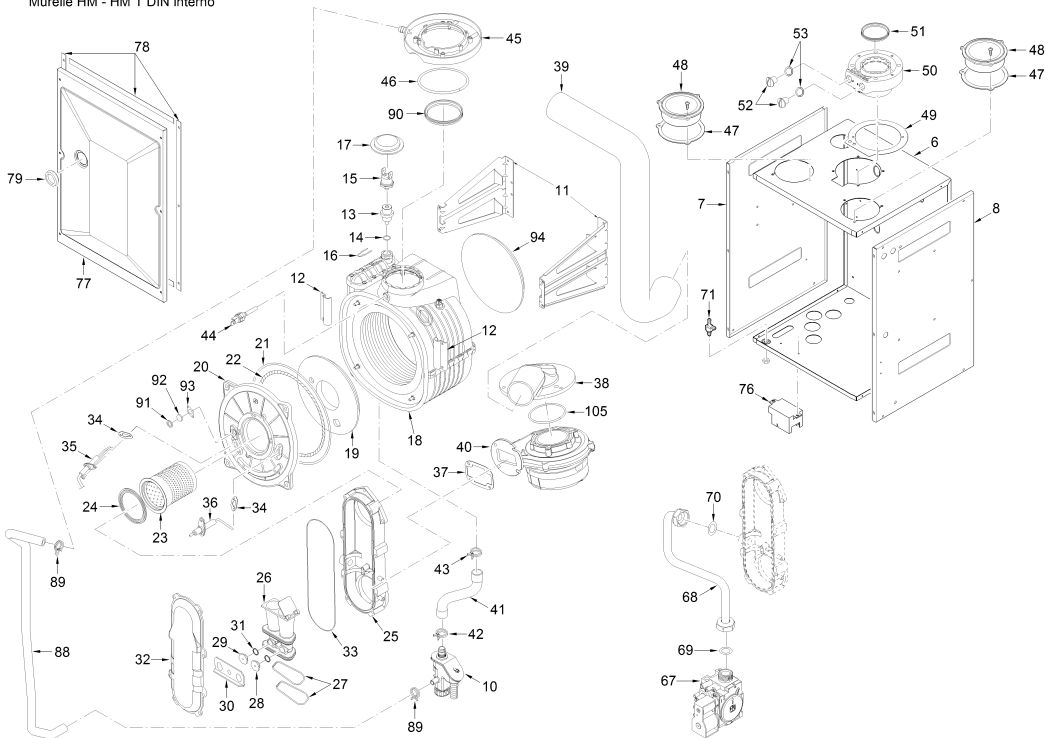
Fax Servizio Tecnico +39 0442 631292 - Fax Ufficio Acquisti +39 0442 631292 - Fax Amministrazione +39 0442 631336

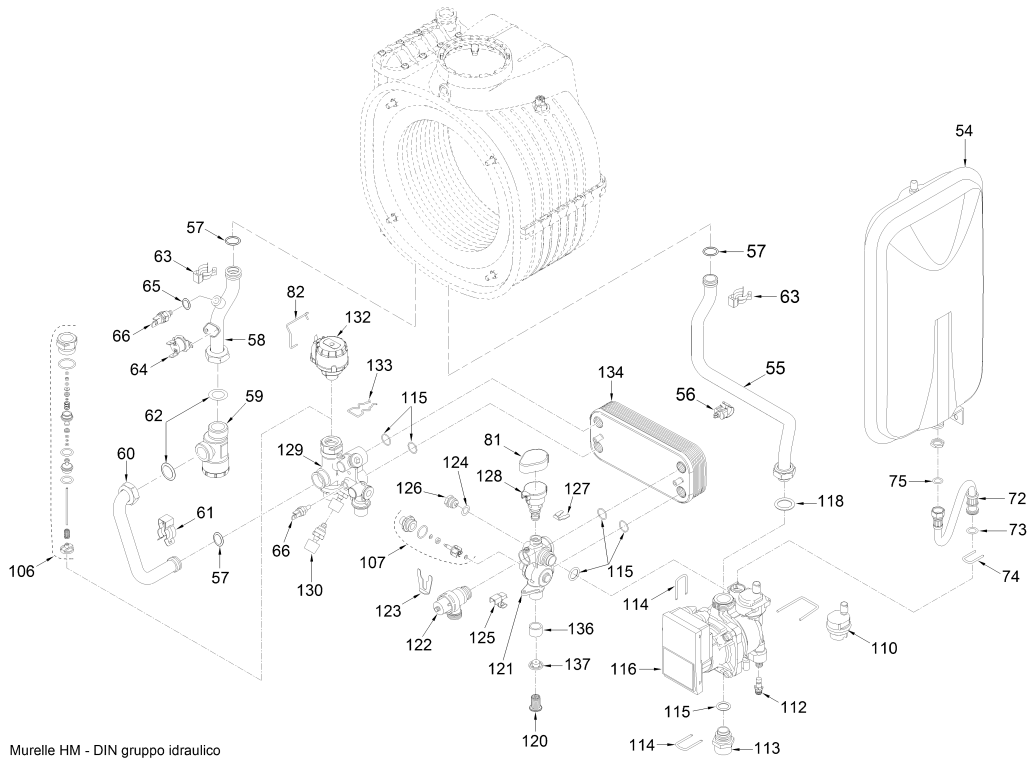
8112442 CALD.MUR.MET.MURELLE HM 30 ErP

Murelle HM - HM T DIN - mantello-pann-strum



Murelle HM - HM T DIN interno





Murelle HM - DIN gruppo idraulico

Posiz.	Codice	Descrizione	
001	6138533	Right hand side frame part	
002	6138632	Left hand side frame part	
003	6255431	Expansion vessel lower support	
004	6318070	Frame assembly lower side	
005	6318072	Frame assembly lower side	
006	6266074	Sealed chamber rear panel	
007	6266152	Sealed chamber left hand side p	
008	6266153	Sealed chamber right hand side	
009	6189589	Expansion vessel fixing bracket	
010	6277210	Water trap	
011A	6010833	Main exchanger supporting brack	
012	6010829	Main exchanger fixing bracket	
013	6112330	Bush thermostatic	
014	6226464	O-ring 115 diam. 11,91x2,62	
015	6146728	Limit stat auto reset 80°C	
016	6226624	Spring air vent knob	
017	6226754	Rubber plug	
018A	6278912	Main exchanger body	
019	6269008	Main exchanger door insulation	
020	5188361	Main exchanger door	
021	6248870	Combustion chamber O-ring	
022	6248871	Glass fibre sealing cord	
023	6278359	Premix burner	
024	6174823	Gasket for burner flange	
025	6278813	Air-gas hose lower side	
026A	5200300	Air/gas mixer assembly	
027	6226470	ORing 52,07 x 2,62	
028B	6322300	Round nozzle Ø 2,80	MET / GPL X 35
029B	6322350	Hexagonal nozzle Ø 3,80	MET
030	6267119	Nozzle locking bracket	
031	6226403	O-ring 2031	
032	6278812	Air-gas hose upper side	
033	6226465	O-ring Ø 183,83x2,62	
034	6174809	Gasket for ignition electrode	
035	6221632	Ignition electrode	
036	6221623	Ionisation electrode	
037	6174816	Gasket for fan flange	
038	6034305	Elbow flange	
039	6001151	Air intake pipe 39	
040	6261408	Fan	
041	6034155	Condensate drainage pipe	
042	2051122	Clamp diam. 22,1	
043	2051123	Clamp diam. 24,2	
044	6277130	Probe NTC D.4X40	
045	6288010	Size pick up condensate	
046	6226451	O-Ring type	

047	6028707	Air intake gasket
048	6288000	Air intake
049	6028710	Air/smoke manifold gasket
050	6287912	Air/smoke manifold
051	6248817	Lip seal for Ø 60 pipe
052	6147409	Air/smoke manifold plug M14x1.5
053	6226417	O-ring 3043
054A	5183722	Rectang. expansion vessel 10 l.
055	6227461	C.H. return pipe
056	6231360	Temperature sensor
057	6226412	O-ring 3068
058	6277723	Pipe connect. exchanger-C.H fil
059	6295501	C.H. filter 3/4" M x 3/4" M
060	6277794	Pipe connect. C.H. filter-C.H.
061	6226601	Spring for heat exchanger conne
062	2030252	Piracriten gasket Ø 16x24,5x2
063	6226619	Spring for heat exchanger conne
064	6146701	100°C safety stat
065	6022010	Sensor gasket
066	6231351	Plunged sensor
067	6243837	Gas valve
068A	6277447	Pipe connecting gas valve-mixer
069	2030228	Gasket Ø 17x24x2
070	2030255	Gasket Ø 12,5x18,5x3
071	6280590	Three way fitting + cap kit
072	6017405	Flexible pipe M.F. 3/8" L=300
073	6226476	ORing diam.15x2
074	6226643	Pipe fixing spring
075	2030226	Gasket Ø 10,2x14,8x2
076	6098315	Ignition transformer
077	6288314	Sealed chamber front panel
078	5192206	Gasket for sealed chamber
079	6001210	Peephole
080	6302000	Plastic pin
081	6319650	Bitron transducer cap
082	6226638	Divertor valve motor spring cli
083	6304430	casing left/right side panel
084	6087508	Insulator panel
085	6304231	Casing front panel
086	6087509	Casing front insulation
087	6269534	Fittings protection
088	1010215	Rubber pipe dia. 15x2,5
089	2051120	Clamp diam. 17,3
090	6248828	Air inlet gasket Ø80
091	6248872	Sight glass gasket
092	6020103	Sight glass
093	6311810	Glass fixing flange
094	6281545	Replacement rear insulat. kit
095	6305020	Time programmer cover
096	6305010	connection cover
097	6305000	Cover
098	6301480	Main PCB
099	6305160	Guidelight with led
100	6305120	Kit Rubber button
101	6304700	Control panel
102	6247327	Cap for time programmer
103	6304890	Flap door assembly
105	6226410	O-Ring Ø 63 x 3
106	6319645	Three-way plates group
107	6319644	Flowmeter group
110	6013182	Automatic air vent
113	6120560	Pump nipple 3/4"
114	6226644	Spring clip for rotating connec
115	6226475	ORing diam.18,64x3,53
116	6272323	Modulating circulating pump
118	2030257	Gasket diam. 30x22x3
120	6222003	D.H.W. filter
121	6265830	C.H. return manifold
122	6040225	Pressure relief valve 1/2" 3 ba
123	6226645	Spring clip
124	2030225	Gasket Ø 5,5x11x2
125	6131440	Flowmeter sensor
126	6147401	Plug 1/4"
127	6226639	Spring clip
128	6273608	Water pressure transducer
129	6265870	C.H. flow manifold
130	6319639	Filling cock

132	6087332	Motor for diverting valve
133	6226636	D.H.W. elektrovalve fix.spring
134A	6265658	16 plate-type heat exchanger
701	6281534	Gaskets kit
702	6319695	Murelle-Format-.....o-ring kit
703	6211794	Peephole kit
705	5197108	Complete control panel
706	6186587	Ionisation electrode cable
707	6316213	3 pole cable connector CN14
708	6316280	4 pole cable connector CN12
709	6319146	5+4 pole female cable connect.
710	6319145	9 pole female cable connector
711	6316295	4 pole cable connector
712	6319147	Modul.pump 3 pole female connec
713	6323886	14 pole cable connector
714	6316202	Connector 4 poli
715	6316203	Connector 4 poli CN4
716	6316204	Connector 8 poli CN7
717	5185139	Conversion kit to LPG
721	6028605	Smoke outlet diaphragm Ø40
722	6319700	Springs / clamps kit DIN