



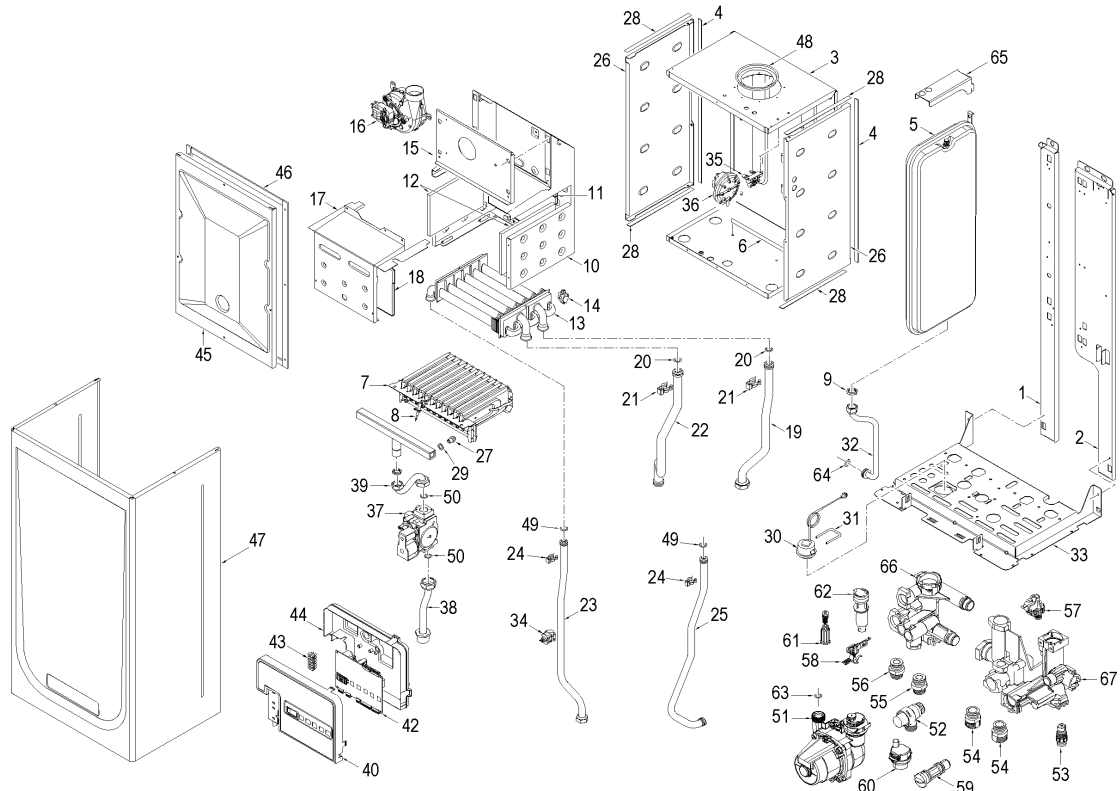
Fonderie Sime S.p.A. - Via Garbo, 27 - 37045 Legnago (VR) - www.sime.it
 Tribunale Verona 13531 - R.E.A. VR 171357 - C.C.P. 19423375 - N° Mecc. VR 014435
 Capitale Sociale Euro 5.521.200 int. versato - Codice Fiscale/Partita IVA n. IT 01275930236

Comfort Ambiente - Via Garbo, 27 - 37045 Legnago (VR)

Tel +39 0442 631111 - Fax Servizio Commerciale: Italia +39 0442 631291 - Estero +39 0442 631293

Fax Servizio Tecnico +39 0442 631292 - Fax Ufficio Acquisti +39 0442 631292 - Fax Amministrazione +39 0442 631336

8107900 CALD.MET. METROPOLIS DGT 25 BF



Posiz.	Codice	Descrizione	
001	6318350	Left hand side frame part	
002	6318300	Right hand side frame part	
003	6317600	Sealed chamber rear panel	
004	6229838	Gasket for sealed chamber	
005	5183724	Rectang. expansion vessel 8 l.	FINO MATR.4037301951
005A	5183726	Rectang. expansion vessel 8 l.	DA MATR. 4037301952
006	6257531	Air deflector	
007	5198210	Main burner assembly	
008	6235932	Ignition-ionisation electrode	
009	6146330	Nut 1/2" for expansion vessel	
010	6318500	Smoke chamber assembly	
011	6318720	Combustion chamber rear insulat	
012	6318710	Combustion chamber side insulat	
013	6174258	Gas/Water heat exchanger	
014	6231362	NTC sensor	
015	6318600	Sealed chamber front panel	
016	6225636	Fan	
017	6317900	Combustion chamber front panel	
018	6318700	Combustion chamber side insulat	
019	6264841	C.H. return pipe	
020	6226412	O-ring 3068	
021	6226601	Spring for heat exchanger conne	
022	6264773	C.H. flow pipe	
023	6227016	D.H.W. outlet pipe	
024	6226617	Spring for heat exchanger conne	
025	6227115	D.H.W. inlet pipe	
026	6288210	Sealed chamber side panel	
027	6154402	Main burner nozzle NP 130 natur	METANO
028	6229837	Gasket for sealed chamber	
029	6022004	Copper washer Ø 6	
030	6146111	Hydrometer	
031	6226628	Hydrometer Fixing spring	
032	6017311	Flexible pipe L=250	FINO MATR.4037301951

032A	6227692	Pipe connecting expans. vessel	DA MATR. 4037301952
033	6318000	Frame assembly lower side	
034	6231357	D.H.W. temperature sensor	
035	6229110	Smoke pressure switch bracket	
036	6225715	Air pressure switch	
037	6243833	Gas valve	
038	6226884	Gas inlet pipe	
039	6226958	Pipe conn. gas valve to burner	
040	6304751	Control panel	
042	6301420	Main P.C.B.	
043	2211010	Terminal strip	
044	6305050	Control panel cover	
045	6317700	Sealed chamber front panel	
046	5192208	Gasket for sealed chamber	
047	6317830	Casing	
048	6028621	Air diaphragm Ø 79	
049	6226444	O-Ring Ø 13,64 x 2,62	
050	2030228	Gasket Ø 17x24x2	
051	6272309	Circulating pump	
052	6040211	Pressure relief valve 3 bar	
053	6319603	Discharger cock	
054	6120533	C.H Nipple	
055	6120532	D.H.W. Nipple	
056	6120534	D.H.W. Nipple exit	
057	6037504	Water pressure switch	
058	6319601	Sensor hall complete	
059	6319640	By-pass	FINO MATR.4039302322
059A	6319641	By-pass 2 (new)	DA MATR. 4039302323
060	6013182	Automatic air vent	
061	6319634	Filling cock	
062	6319633	Flowmeter without reg. of capac	
063	6226457	O-ring 12bis diam. 16x1,90	
064	6226464	O-ring 115 diam. 11,91x2,62	
065	6267112	D.H.W. expans. vessel locking b	FINO MATR.4037301951
066	6319697	D.H.W. Technyl manifold group	
067	6319696	C.H. Technyl manifold group	
702	5197950	Complete control panel	
706	6316252	6 pole Stocko connector CN6	
707	6316253	9 pole Stocko connector	
708	6316254	14 pole Stocko connectorCN4	
710	6319699	Split pin kit for hydraulic gro	
711	6319698	O-ring kit for hydraulic group	
712	5144716	Conversion kit to LPG	
716	6281534	Gaskets kit	
717	6319695	Murelle-Format-.....o-ring kit	
718	5198390	Technyl hydraulic group	
719	5185403	Convers. kit to nat. gas 25-30-	
720	8076110	Expas.major vassel ZILMET	FINO MATR.4037301951